

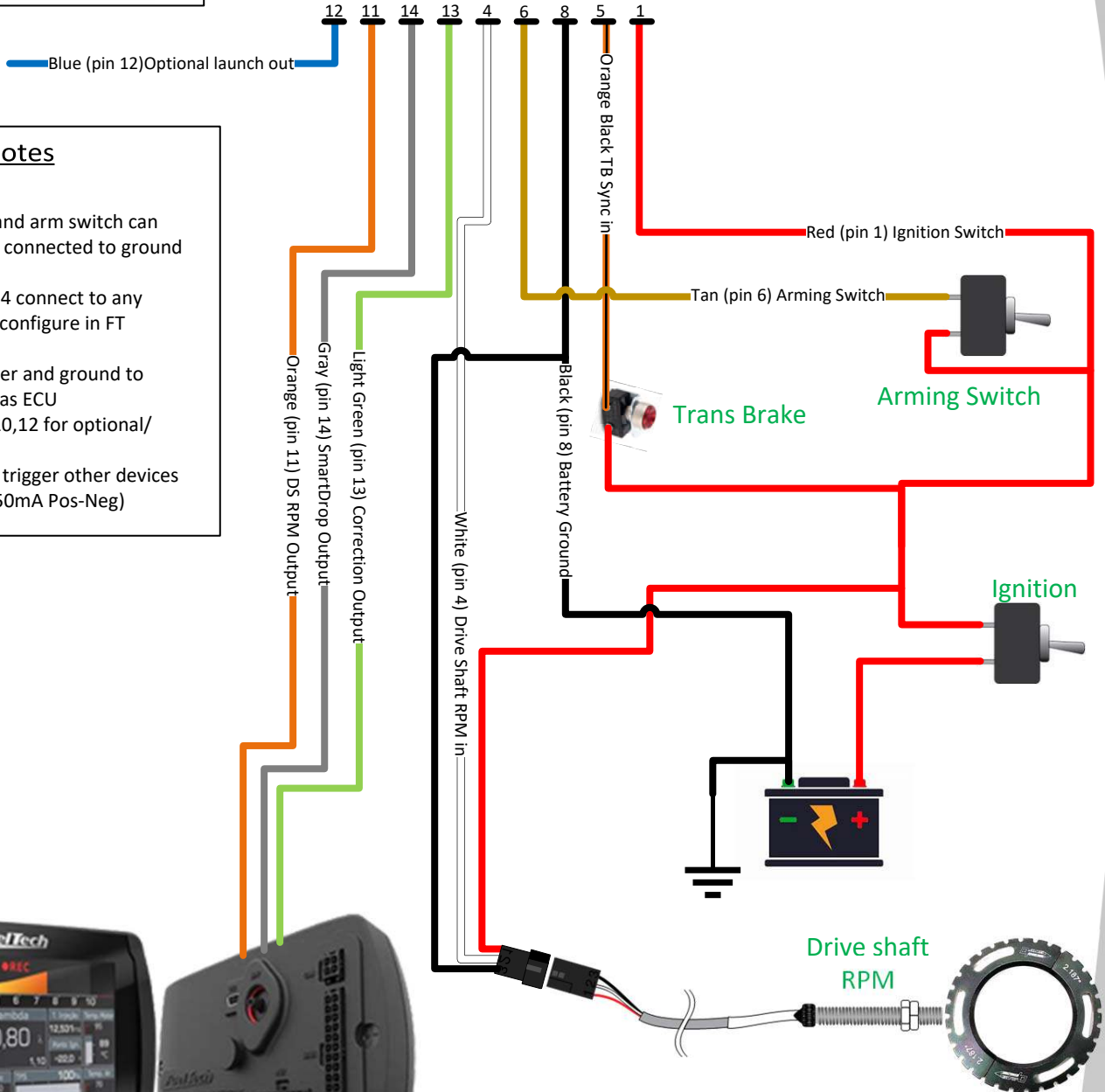
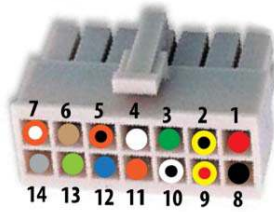
PFEFI

PROFILER EFI MODULE

FuelTech

FT-500

BASIC INSTALL



Notes

- Trans Brake and arm switch can optionally be connected to ground source
- Pins 11, 13, 14 connect to any White input, configure in FT manager
- Connect power and ground to same source as ECU
- Pins 2,3,7,9,10,12 for optional/future use
- Pin 12 use to trigger other devices on launch (750mA Pos-Neg)



Connect to any White Input. Configure in FT Manager



WWW.MORETRACTION.COM

Other products and companies referred to herein are trademarks or registered trademarks of their respective companies or mark holders. Any components shown are for illustration or instructional purposes only.

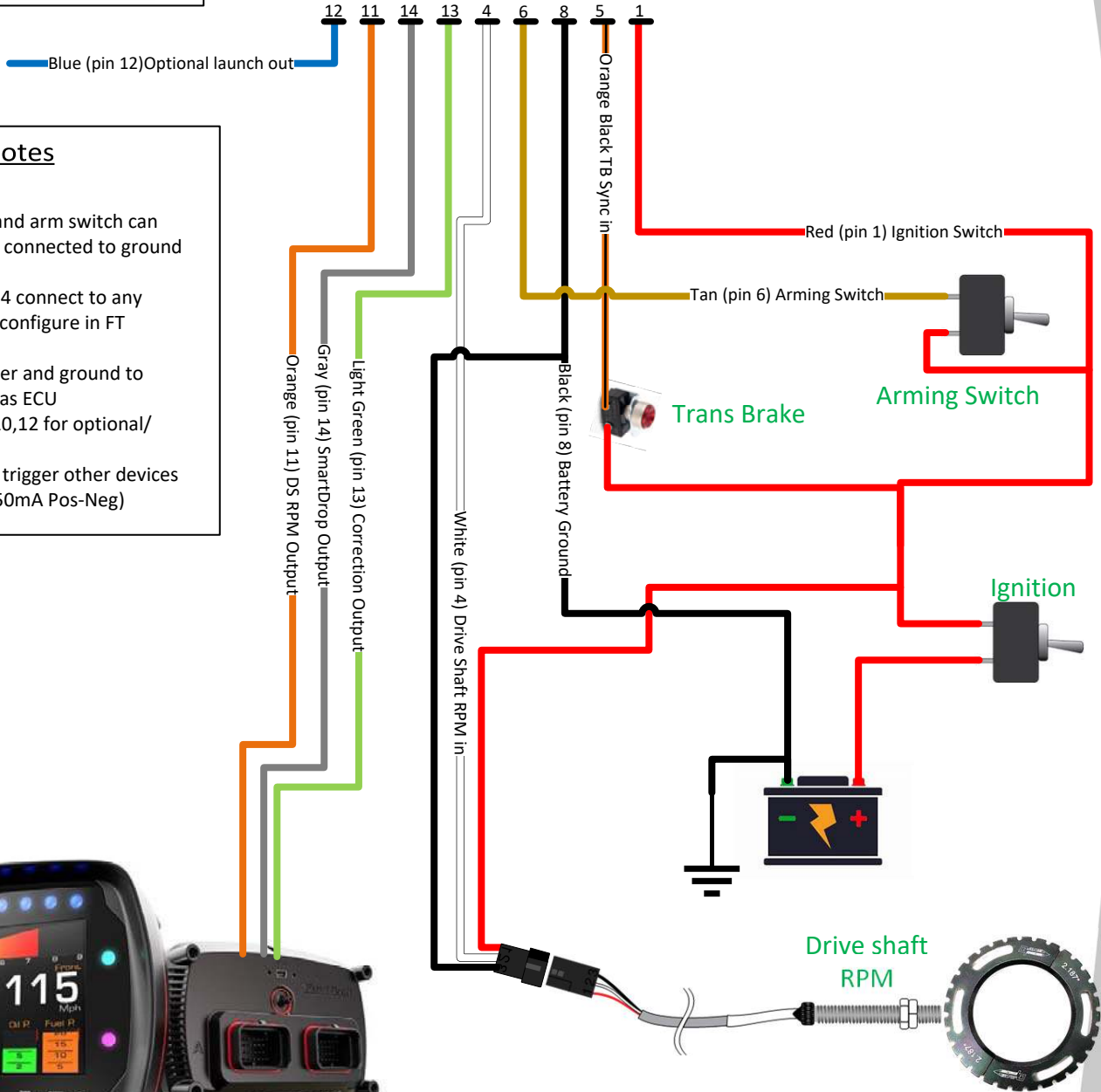
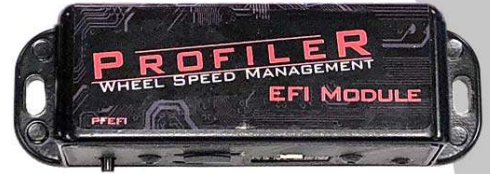
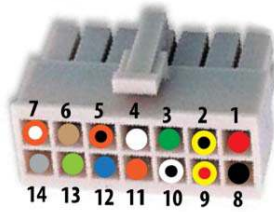
PFEFI

PROFILER EFI MODULE

FuelTech

FT-600

BASIC INSTALL



Notes

- Trans Brake and arm switch can optionally be connected to ground source
- Pins 11, 13, 14 connect to any White input, configure in FT manager
- Connect power and ground to same source as ECU
- Pins 2,3,7,9,10,12 for optional/future use
- Pin 12 use to trigger other devices on launch (750mA Pos-Neg)



Connect to any White Input. Configure in FT Manager



WWW.MORETRACTION.COM

Other products and companies referred to herein are trademarks or registered trademarks of their respective companies or mark holders. Any components shown are for illustration or instructional purposes only.