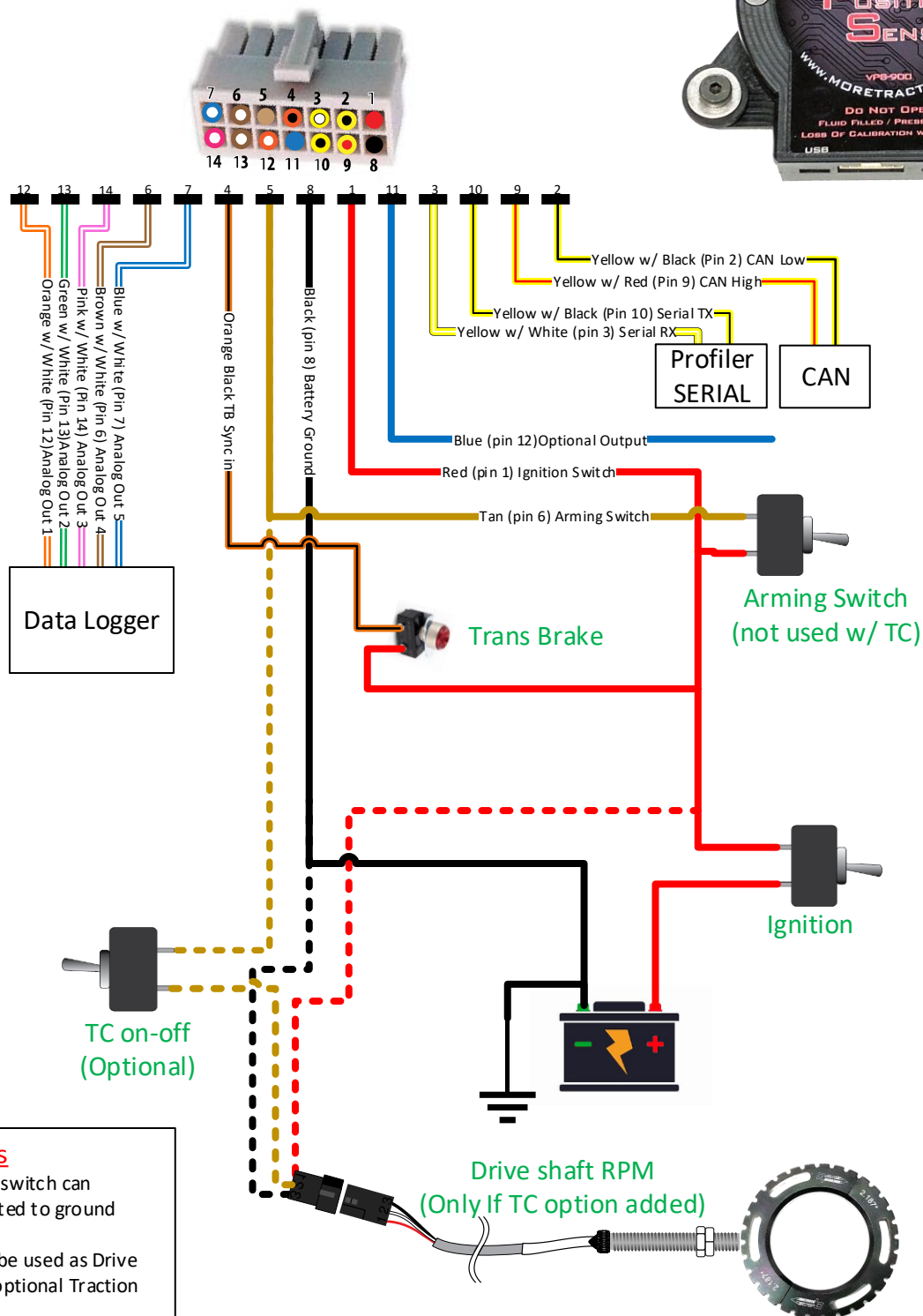
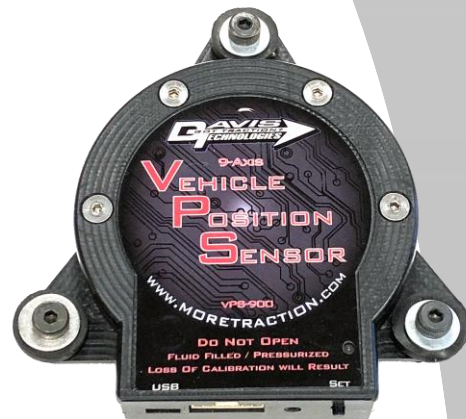


VPS

Vehicle Position Sensor



Notes

- Trans Brake and arm switch can optionally be connected to ground source
- Tan Wire (Pin 5) can be used as Drive Shaft Speed input if optional Traction Control is installed.
- Analog Outputs are 0-5 volt
- Acceleration Axes are scaled -5g/+5g
- Angles are scaled -12 deg/+12 deg
- Profiler Serial only used with Profiler, not Profiler EFI Module
- CAN is for use with compatible systems only



VPS- 14 Pin Connector (20ga)

Pin	Color	Function
1	Red	Battery Positive - Ignition Switch
2*	Yellow w/ Black Stripe	CAN Low
3* #	Yellow w/ White Stripe	Serial RX
4	Orange w/ Black Stripe	Trans Brake Sync In
5	Tan	Arming Switch / DSRPM Input
6*	Brown w/ White Stripe	Analog Out 4
7*	Blue w/ White Stripe	Analog Out 5
8	Black	Battery Ground
9*	Yellow w/ Red Stripe	CAN High
10* #	Yellow w/ Black Stripe	Serial TX
11	Blue	General Purpose Output (50mA Batt Voltage / Gnd)
12	Orange w/ White Stripe	Analog Out 1
13	Green w/ White Stripe	Analog Out 2
14	Pink w/ White Stripe	Analog Out 3

* Included, but not installed in connector

For use with Profiler Only- Not Profiler EFI Module

WARNING- DO NOT INSTALL SERIAL RX/TX IF NOT CONNECTED!!

