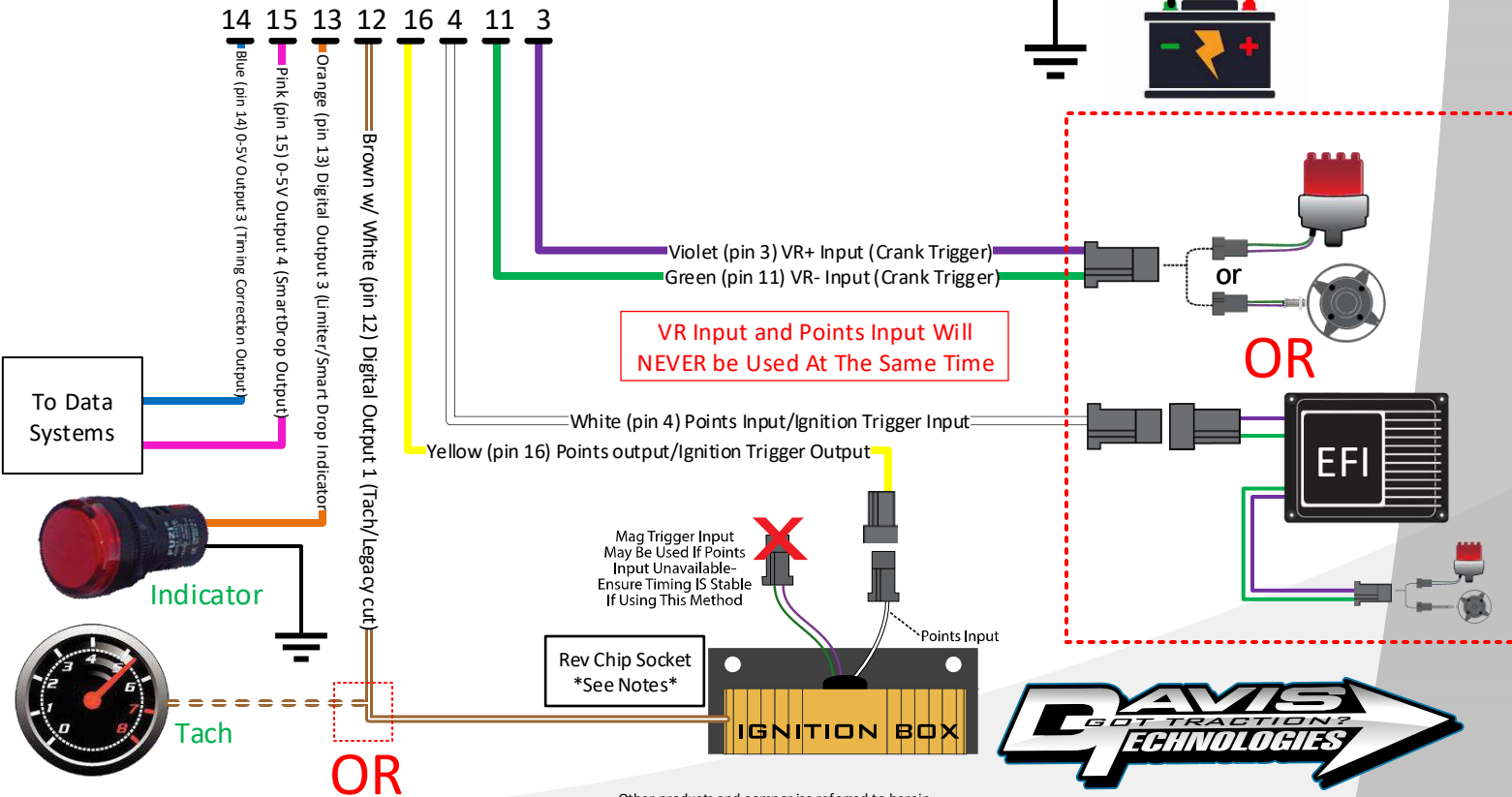
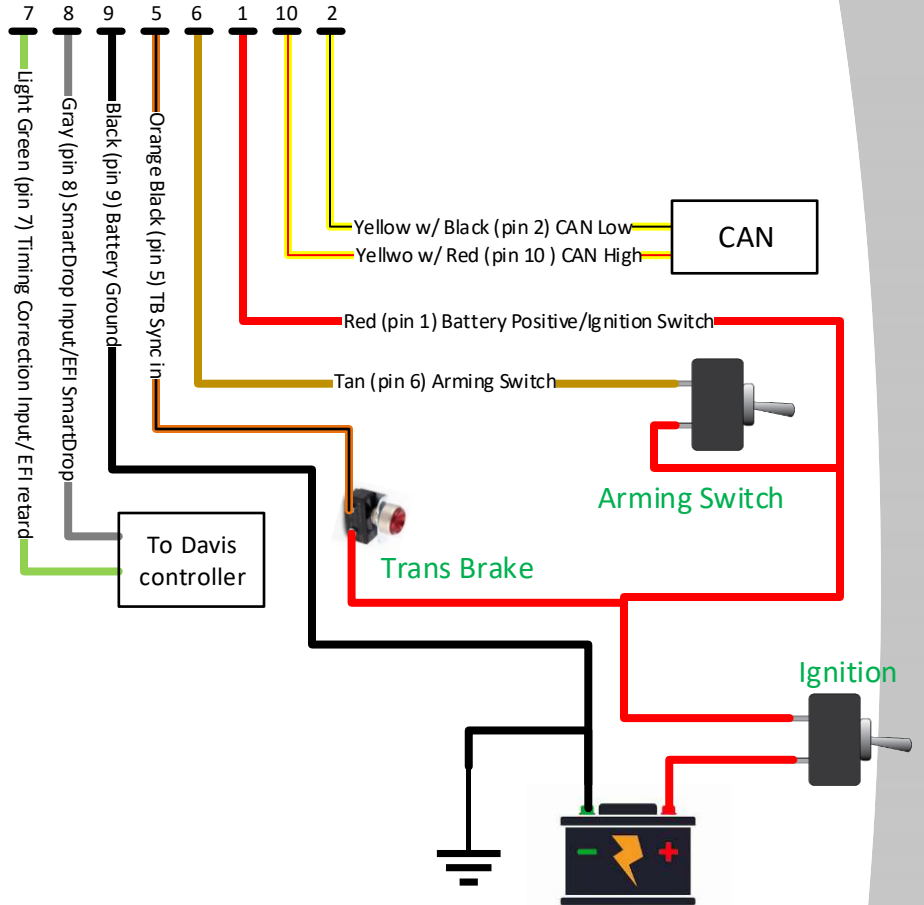


DIC



- ### Notes
- Trans Brake and arm switch can optionally be connected to ground source- **NOT required if used with Davis Traction Control.**
 - Connect power and ground to same source as ignition box



WWW.MORETRACTION.COM

Other products and companies referred to herein are trademarks or registered trademarks of their respective companies or mark holders. Any components shown are for illustration or instructional purposes only.